

ELECTRONIC CONTROL

M programmer: push buttons to control temperature and time.

OUTSTANDING FEATURES

Reversing drum action as standard.
Stainless steel drum as standard.
Frequency inverter as standard.

EFFICIENCY

DOUBLE FLOW - mixed axial-radial airflow.
Big fluff filter.

VERSATILITY

Make to order - customisation.
OPL > Coin laundry- Standard OPL model easily trasformable to coin laundry uses.

ERGONOMICS

Drawer as fluff filter, stainless steel mesh.
Biggest door diameters.
Opening sense of door adjustable on site.

MAINTENANCE

Hinged control panel: easy access.
Technical menu: statistics for technicians and maintenance with external console (with console option).
Easy to access to components.

OTHERS

Grey skinplate outer casing, stainless steel look.
NEW: Geared motor drive on models DTT-45 to DTT-80
SOFT DRY - new drum with stamped holes.
COOL DOWN - anti-wrinkle at the end of the cycle.
Heating options: electric, gas or steam.
CE approved

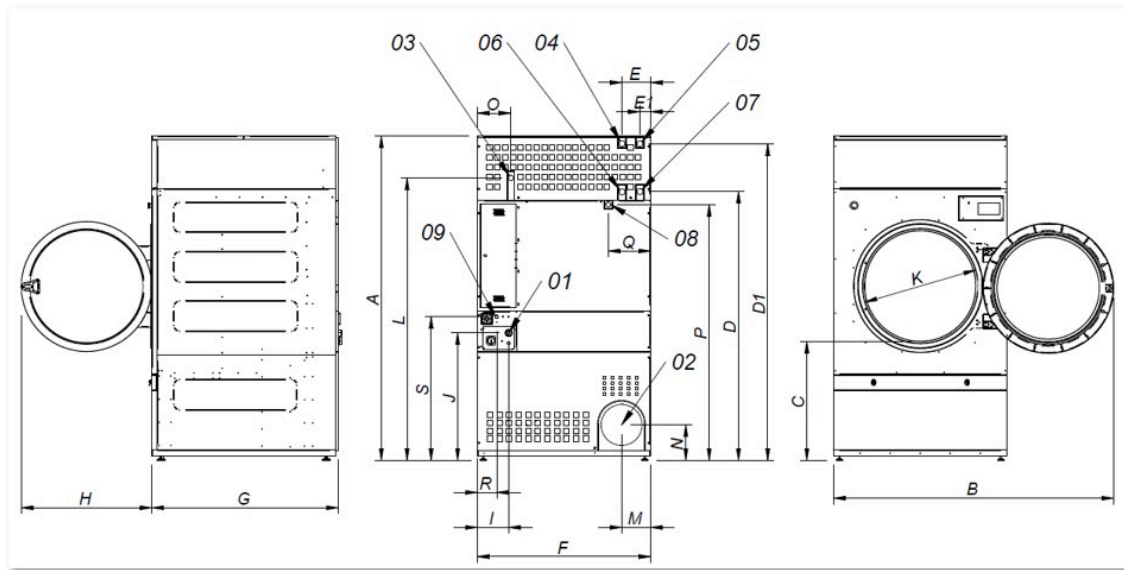


OPTIONS

- Natural gas heated tumble dryer
- Rear panel with external air intake and filter XL DTM-45/60/80
- Reinforced drum for heavy-duty use 45-60-80 kg
- Manual sliding door DTM-45/60/80 (without double door glass)
- Double doorglass DTM-35/45/60/80
- Opposite door opening DTM-45/60/80
- Back panel with air filter
- Fluff filter with grid 0,6 mm (standard is 0,3 mm)
- Fluff filter with grid 1,2 mm (standard is 0,3 mm)
- Stainless steel front and side panels DTM-45
- Front panel in stainless steel DTM-45/60/80
- Low pressure steam battery DTM-45/60/80
- Maritime wooden packing DTM-45
- 400V 3N 60 Hz DTM-45/60/80 E/S
- 400V 3N 60 Hz DTM-45/60/80 G
- 230V 3~ 50 Hz DTM-45/60/80 G/S
- 230V 3~ 60 Hz DTM-45/60/80 S
- 230V 3~ 60 Hz DTM-45/60/80 G
- 440/480V 3~ 60 Hz DTM-45/60/80 (marine)

CAPACITY & DRUM	UNIT.	DTM-45
Capacity 1/18	Kg	50
	lb	110,2
Capacity 1/20	Kg	45
	lb	99,2
Ø Drum	mm	1.225
	inch	48,23
Drum length	mm	760
	inch	29,92
Drum volume	l	900
	cu ft	31,78
Ø Door hole	mm	802
	inch	31,57
Door center height	mm	1.275
	inch	50,20
Height from floor to bottom of door	mm	813
	inch	31,99
ELECTRIC HEATING		
Evaporation capacity	L/h	40,2
	US gallon/h	10,6
Hourly output	Kg/h	80,4
	lb/h	177,2
Installed heating power	kW	54
Installed electrical power	kW	55,9
GAS HEATING		
Evaporation capacity (gas model)	L/h	42,5
	US gallon/h	11,227
Hourly output (gas model)	Kg/h	84,4
	lb/h	186,07
Installed gas heating power	kcal/h	51591
	Btu/h	204728
Installed gas heating power	kW	60
Installed electrical power	kW	1,9
Instant propane gas consumption (G31)	Kg/h	5,14
	lb/h	11,33
Instant natural gas consumption (G20)	m ³ /h	6,35
	cfm	3,74
Ø Gas inlet	BSPP ISO 228-1	3/4"
STEAM HEATING		
Installed steam heating power	kW	91
	Btu/h	310505
Installed electrical power	kW	1,9
Steam consumption (8 barG) - Standard	kg/h	121
Steam consumption (116 psiG)	lb/h	145,8
Steam pressure	barG	7 - 12
	psiG	101,5 - 174
Standard steam inlet - outlet	BSPT- ISO7.1	1"
Standard steam inlet - outlet	NPT ANSI B1.20.1 Tapered	1"
Steam consumption (5 barG) - Low Pressure	kg/h	142
Steam consumption (72,5 psiG) - Low Pressure	lb/h	171,1
Steam pressure (low pressure)	barG	4 - 7
	psiG	58 - 101,5
Low pressure steam inlet - outlet	BSPT- ISO7.1	1" 1/2
THERMAL OIL HEATING		
Installed heating power	kW	91
Installed electrical power	kW	1,9
Fluid consumption (T max 175°C)	m ³ /h	7
Thermal oil connection	BSP	1" 1/2

POWER AND VENTILATION			
Drum motor power	kW	0,75	
Fan motor power	kW	1,1	
Nominal air flow rate	m ³ /h	3.000	
	cfm	1766	
Ø Fume exhaust	mm	300	
	inch	11,81	
HEAT EMISSION			
Maximum total heat emission	kW	4,9	
	Btu/h	16593	
Max. front heat emission	kW	2,2	
	Btu/h	7375	
CONNECTIONS			
Tension 230V - I + N + T	Nº x mm ² / A	E	G / S
Tension 230V - III + T	Nº x mm ² / A	-	-
Tension 400V - III + N + T	Nº x mm ² / A	5 x 35 / 100A	5 x 2,5 / 20A
NET DIMENSIONS / D. WITH PACKING			
Net / gross width	mm	1.270 / 1.330	
	inch	50 / 52,4	
Net / gross depth	mm	1.106 / 1.185	
	inch	43,5 / 46,65	
Net height / gross height without heating	mm	2.380 /*2.200	
	inch	93,7 / *86,6	
Net / gross weight	Kg	395 / 430	
	lb	871 / 948	
OTHERS			
Sound level	dB	67	



- 01 Power supply
- 02 Fumes output Ø 300
- 03 Gas inlet 1/2"
- 04 Steam inlet 1" (DTM-45)
- 05 Steam inlet 1" (DTM-60-80)
- 06 Condensate outlet 1" (DTM-45)
- 07 Condensate outlet 1" (DTM-60-80)
- 08 Sprinkler valve 3/4"
- 09 Ethernet connection (only TOUCH Control)

	A	B	C	D	D1	E	E1	F	G	H	I	J	K	L	M	N	O	P	Q	R	S
DTM-45	2.380	2.045	874	1.981	2.311	211	80	1.270	1.106	956	248	935	802	2.088	214	240	244	1.841	308	160	1.053
DTM-60	2.380	2.045	874	1.981	2.311	211	80	1.270	1.366	956	248	935	802	2.088	214	240	244	1.841	308	160	1.053
DTM-80	2.380	2.045	874	1.981	2.311	211	80	1.270	1.598	956	248	935	802	2.088	214	240	244	1.841	308	160	1.053